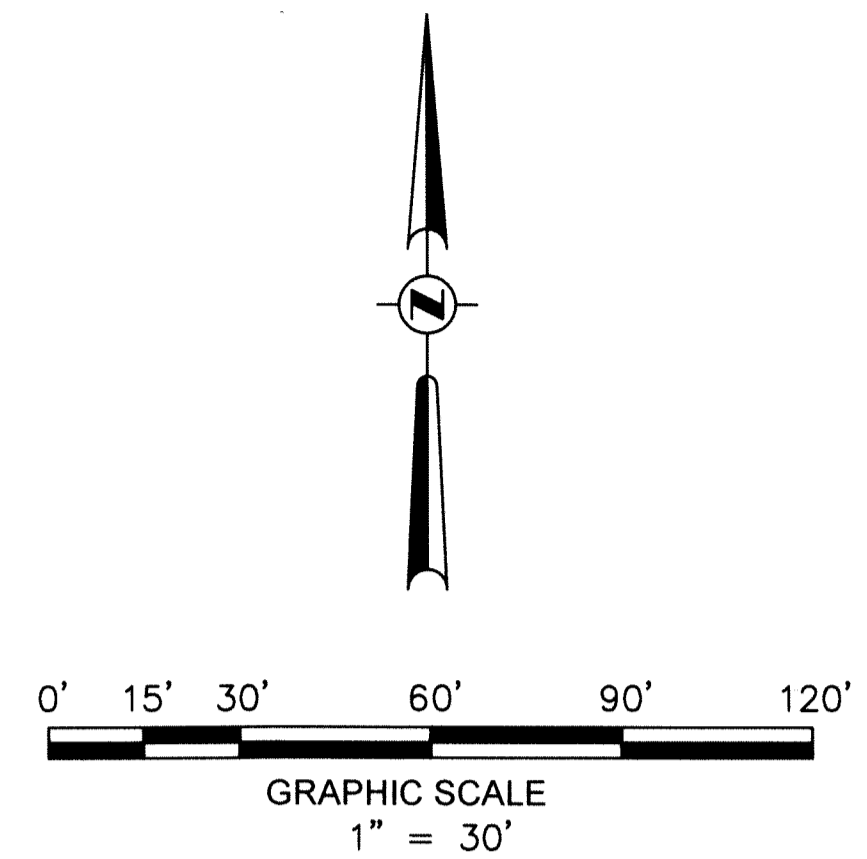


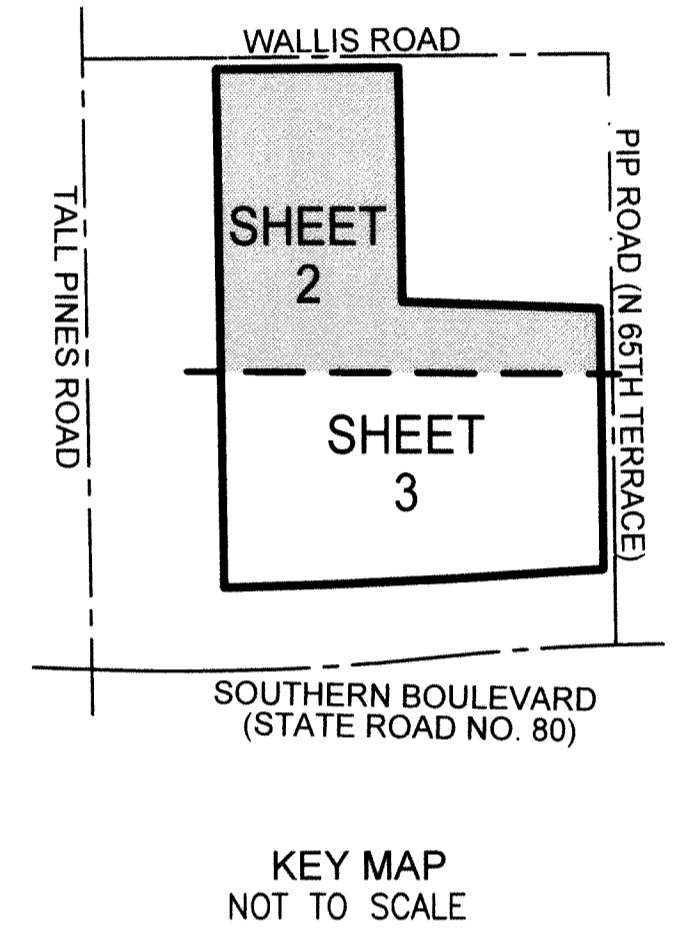
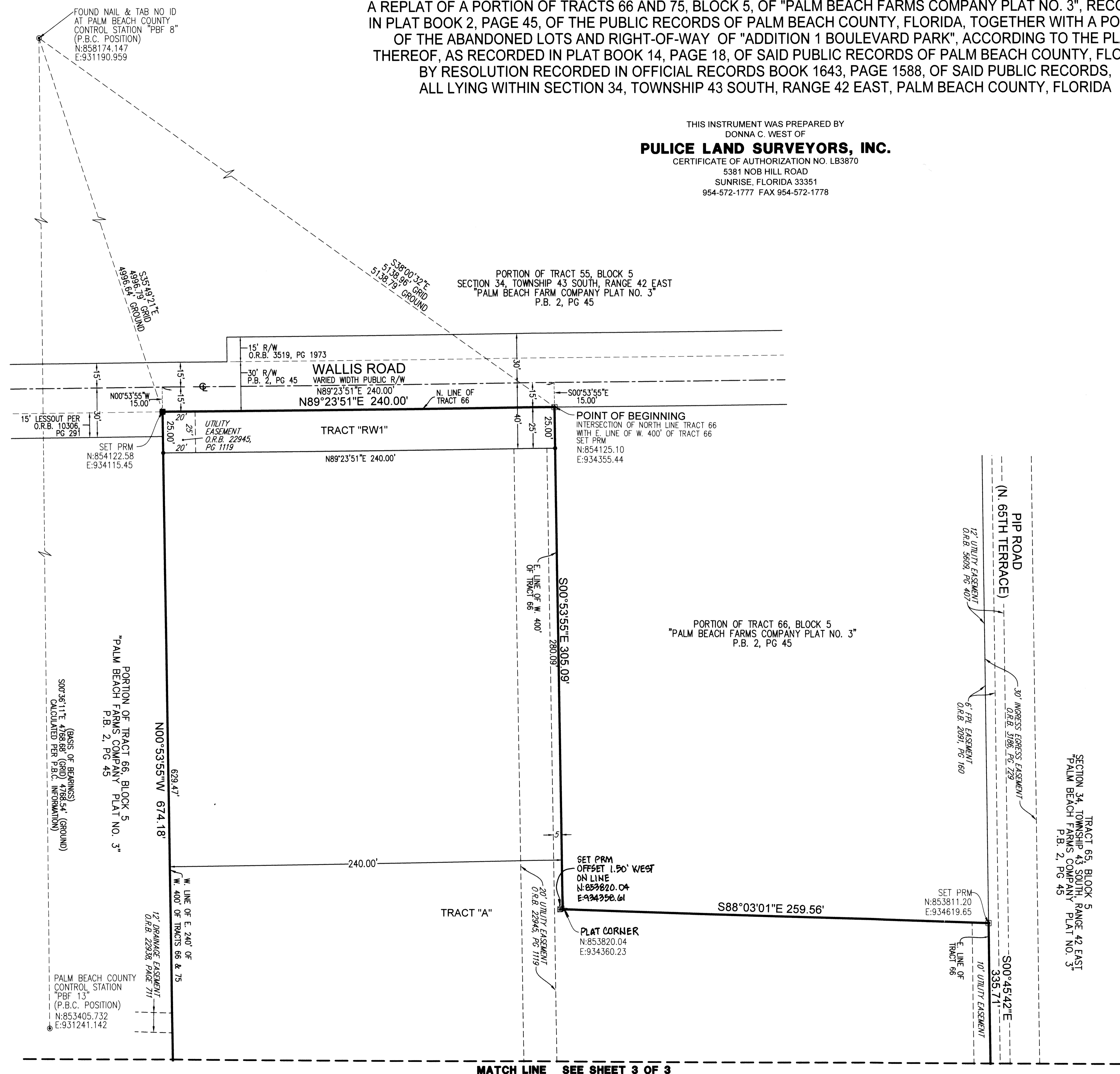
# ACADEMY BUS

A REPLAT OF A PORTION OF TRACTS 66 AND 75, BLOCK 5, OF "PALM BEACH FARMS COMPANY PLAT NO. 3", RECORDED IN PLAT BOOK 2, PAGE 45, OF THE PUBLIC RECORDS OF PALM BEACH COUNTY, FLORIDA, TOGETHER WITH A PORTION OF THE ABANDONED LOTS AND RIGHT-OF-WAY OF "ADDITION 1 BOULEVARD PARK", ACCORDING TO THE PLAT THEREOF, AS RECORDED IN PLAT BOOK 14, PAGE 18, OF SAID PUBLIC RECORDS OF PALM BEACH COUNTY, FLORIDA, BY RESOLUTION RECORDED IN OFFICIAL RECORDS BOOK 1643, PAGE 1588, OF SAID PUBLIC RECORDS, ALL LYING WITHIN SECTION 34, TOWNSHIP 43 SOUTH, RANGE 42 EAST, PALM BEACH COUNTY, FLORIDA

THIS INSTRUMENT WAS PREPARED BY  
DONNA C. WEST OF  
**PULICE LAND SURVEYORS, INC.**  
CERTIFICATE OF AUTHORIZATION NO. LB3870  
5381 NOB HILL ROAD  
SUNRISE, FLORIDA 33351  
954-572-1777 FAX 954-572-1778



120  
SHEET 2 OF 3 SHEETS



**NOTES:**  
COORDINATES SHOWN ARE GRID  
DATUM = NAD 83 (1990 ADJUSTMENT) AS READJUSTED  
AS READJUSTED BY PALM BEACH COUNTY IN 1998  
ZONE = FLORIDA EAST ZONE  
LINEAR UNIT = US SURVEY FEET  
COORDINATE SYSTEM = 1983 STATE PLANE  
PROJECTION = TRANSVERSE MERCATOR  
ALL DISTANCES ARE GROUND (UNLESS OTHERWISE NOTED)  
SCALE FACTOR = 1.000029891  
GROUND DISTANCE X SCALE FACTOR = GRID DISTANCE

- LEGEND & ABBREVIATIONS:**
- = SET PERMANENT REFERENCE MONUMENT (PRM) 4"X4"X24" CONCRETE MONUMENT WITH ALUMINUM DISK "PRM LB3870"
  - = SET 1/2" IRON PIPE WITH CAP LB #3870
  - ⊙ = CENTERLINE
  - A = ARC LENGTH
  - CA = CENTRAL ANGLE
  - CB = CHORD BEARING
  - CD = CHORD DISTANCE
  - FDOT = FLORIDA DEPARTMENT OF TRANSPORTATION
  - FPL = FLORIDA POWER & LIGHT COMPANY
  - LB = LICENSED BUSINESS
  - O.R.B. = OFFICIAL RECORDS BOOK
  - P.B. = PLAT BOOK
  - P.B.C. = PALM BEACH COUNTY
  - PG. = PAGE
  - R = RADIUS
  - R/W = RIGHT-OF-WAY
  - SF = SQUARE FEET
  - U.E. = UTILITY EASEMENT
  - N:123456.78 = STATE PLANE COORDINATE NORTHING
  - E:123456.78 = STATE PLANE COORDINATE EASTING
  - = SET PERMANENT REFERENCE MONUMENT (PRM) NAIL & DISK "PRM LB3870"

TRACT 65, BLOCK 5  
SECTION 34, TOWNSHIP 43 SOUTH, RANGE 42 EAST  
"PALM BEACH FARMS COMPANY PLAT NO. 3"  
P.B. 2, PG 45

FOUND NAIL & TAB NO 1D  
AT PALM BEACH COUNTY  
CONTROL STATION "PBF 8"  
(P.B.C. POSITION)  
N:858174.147  
E:931190.959

PALM BEACH COUNTY  
CONTROL STATION  
"PBF 13"  
(P.B.C. POSITION)  
N:853405.732  
E:931241.142

MATCH LINE SEE SHEET 3 OF 3